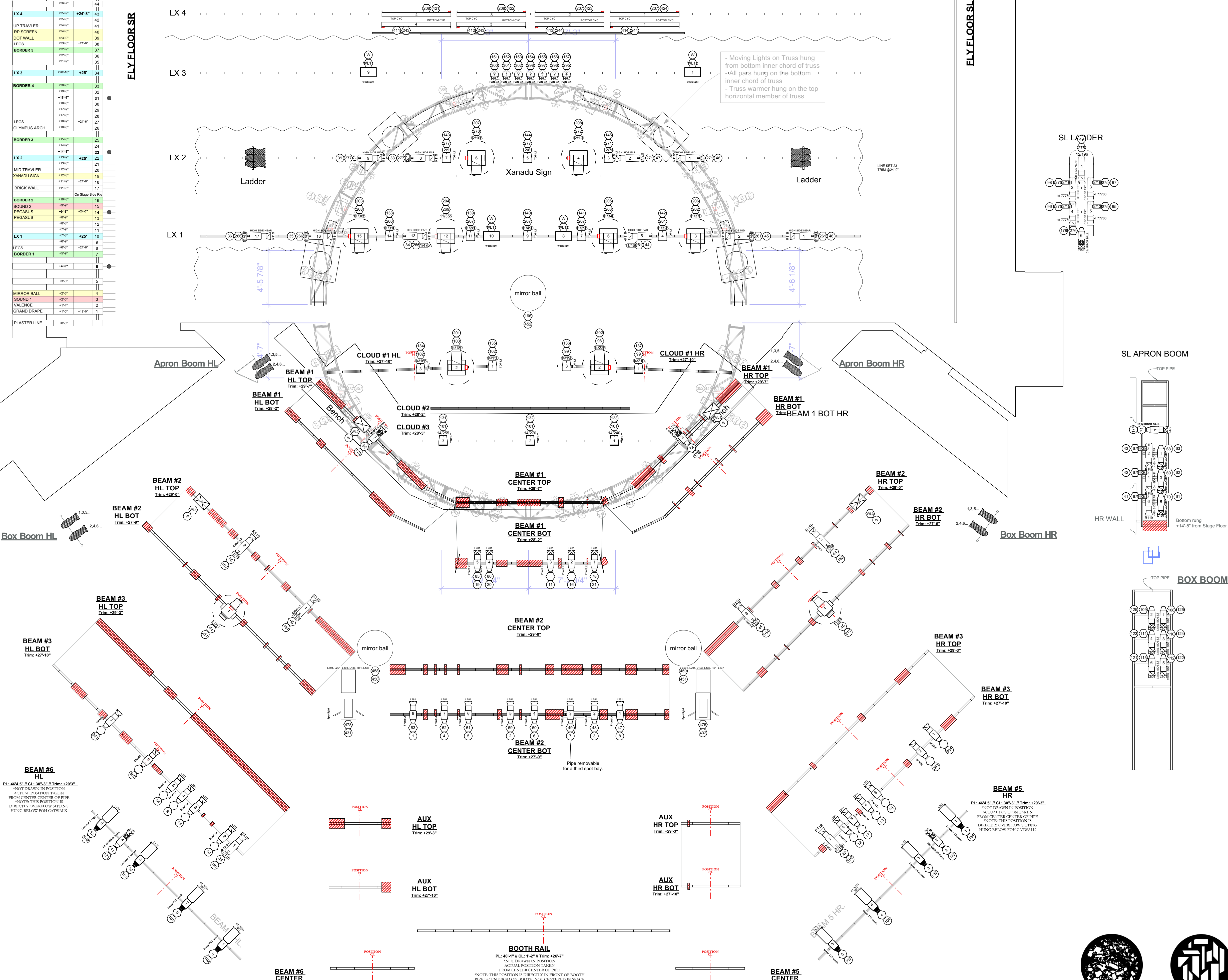
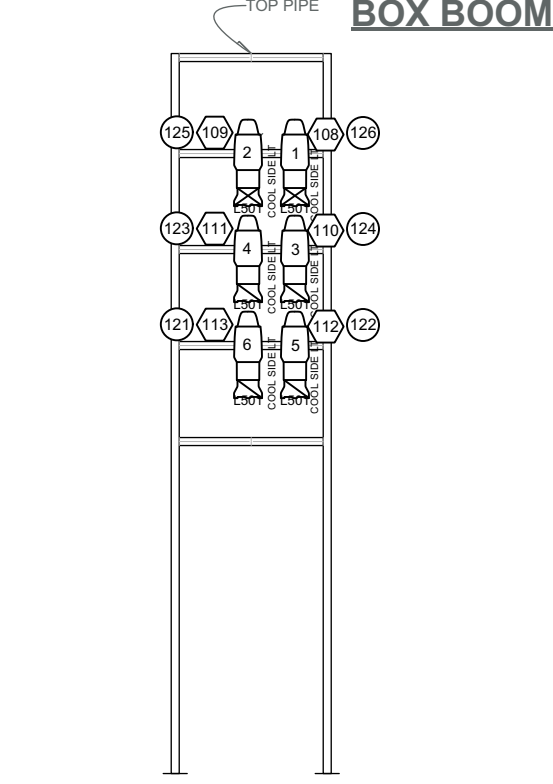
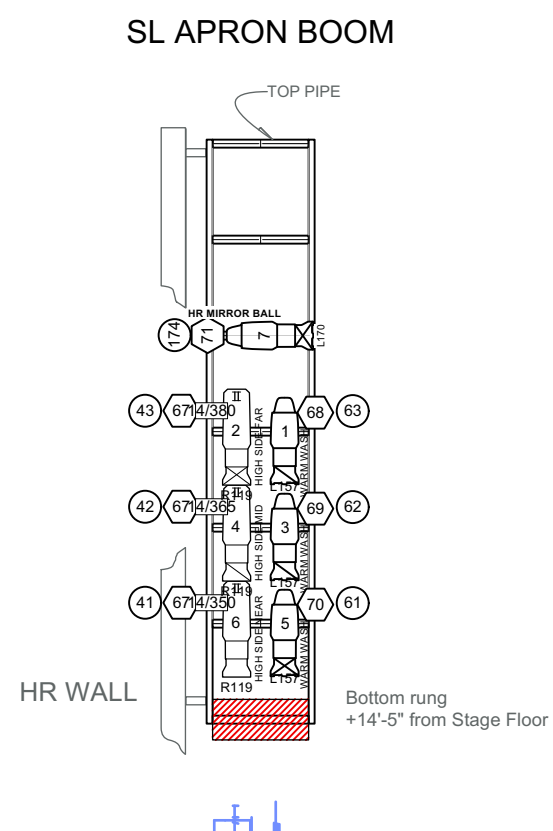
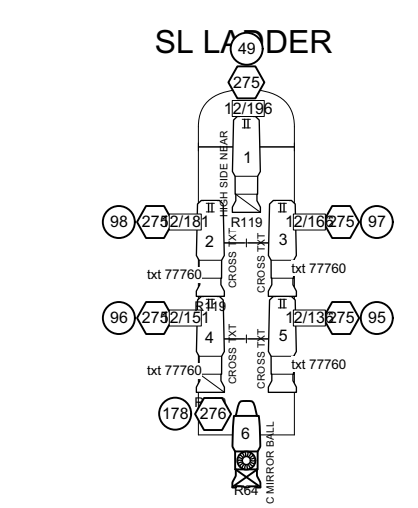
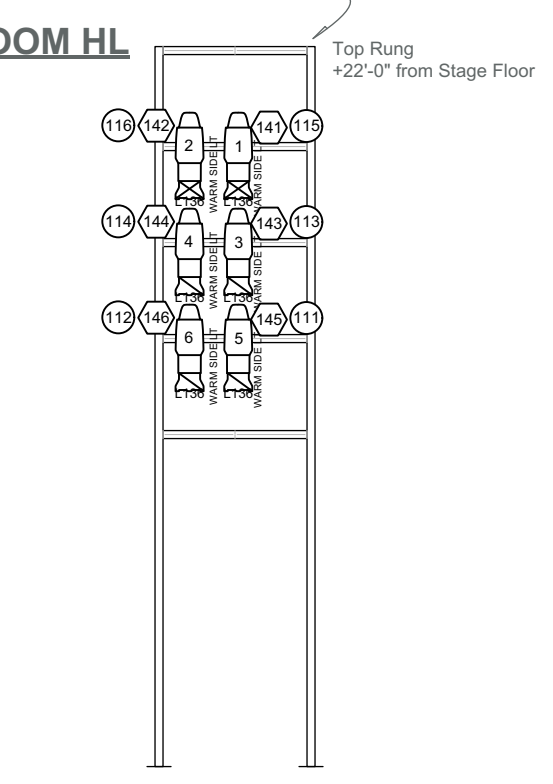
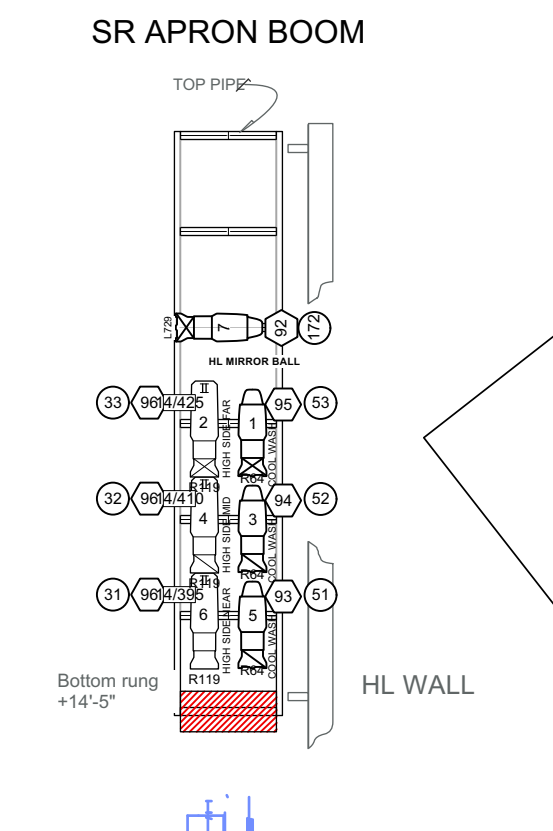
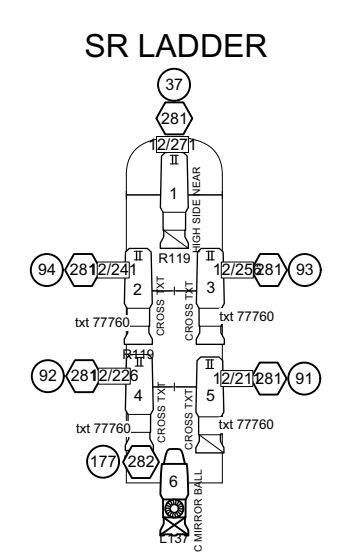


DESCRIPTION	D TO PL	TRIM	#
CYCLODRAMA	+28'-0"		47
	+28'-0"	Off Stage Side Rtg	46
SOUND 3	+27'-3"		45
	+26'-7"		44
LX 4	+25'-0"	+24'-0"	43
UP TRAVELER	+24'-0"		42
RP SCREEN	+24'-0"		41
DOT WALL	+23'-0"		39
LEGS	+23'-0"	+21'-0"	38
BORDER 5	+22'-0"		37
	+22'-0"		36
LX 3	+20'-10"	+20'	34
BORDER 4	+18'-0"		33
	+18'-0"		32
	+18'-0"		31
	+17'-0"		30
	+17'-0"		29
	+17'-0"		28
LEGS	+16'-0"	+14'-0"	27
OLYMPIUS ARCH	+16'-0"		26
BORDER 3	+15'-0"		25
	+14'-0"		24
LX 2	+13'-0"	+22'	22
MID TRAVELER	+12'-0"		21
XANADU SIGN	+12'-0"		20
BRICK WALL	+11'-0"	+11'-0"	18
BORDER 2	+10'-0"	On Stage Side Rtg	16
SOUND 2	+9'-0"		15
PEGASUS	+9'-0"	+8'-0"	14
PEGASUS	+8'-0"		13
	+8'-0"		12
LX 1	+7'-0"	+22'	11
LEGS	+6'-0"	+11'-0"	9
BORDER 1	+5'-0"		8
	+4'-0"		6
MIRROR BALL	+2'-0"		4
SOUND 1	+2'-0"		3
VALENCE	+1'-0"		2
GRAND DRAPE	+1'-0"	+19'-0"	1
PLASTER LINE	+0'-0"		



Instrument Key			
Light	Count	Mode	
	4	1k Broad	
	8	ETC Source4 Zoom 15°-30°	
	19	ETC Source4 19deg	
	24	ETC Source4 26deg	
	8	ETC Source4 36deg	
	10	USITT PAR MR-16 Birdie-MFL	
	2	Altman 3in Fresnel	
	27	ETC Source4 PAR WFL	
	16	Linestra	
	4	Altman R40 4 Circ 6ft	
	2	Lycian SuperArc 400 Follow Spot	
	8	Chauvet DJ COREpar 80	Corepar 80 USB [8]
	27	Elation Arena PAR Zoom	Arena Par Zoom [9]
	8	Colour Chorus 72	RGBA 48ch [48]
	6	ETC Source4 LED2LS 19deg	Direct StrFan [10]
	18	ETC Source4 LED2LS 26deg	Direct StrFan [10]
	8	ETC Source4 LED2LS 36deg	Direct StrFan [10]
		Moving Light	
	4	Varilite VL 1100 Arc ERS	VL1100 AS [27]
	2	Varilite VL 1100 Tungsten Dimmer	VL1100 TS [27]
	8	Varilite VL 2500 Wash	VL2500 Wash [15]

Annotation	
	Unit Number
	Dimmer Channel

Disclaimer
 These drawings, designs, and plans are owned by Alaina Pizzoferrato and have been created for this specific project. Viewers are not allowed to distribute or copy this Light Plot without the consent of the Drawer, Alaina Pizzoferrato.

Production Team
 Lighting Designer: Alaina Pizzoferrato
 ALD: Baron Leon
 ALD 2: Natalia Carlson
 ME: Dionte Mercado
 Programmer: Sydney Hunt

College-Conservatory of Music (CCM)

Patricia Corbett Theatre

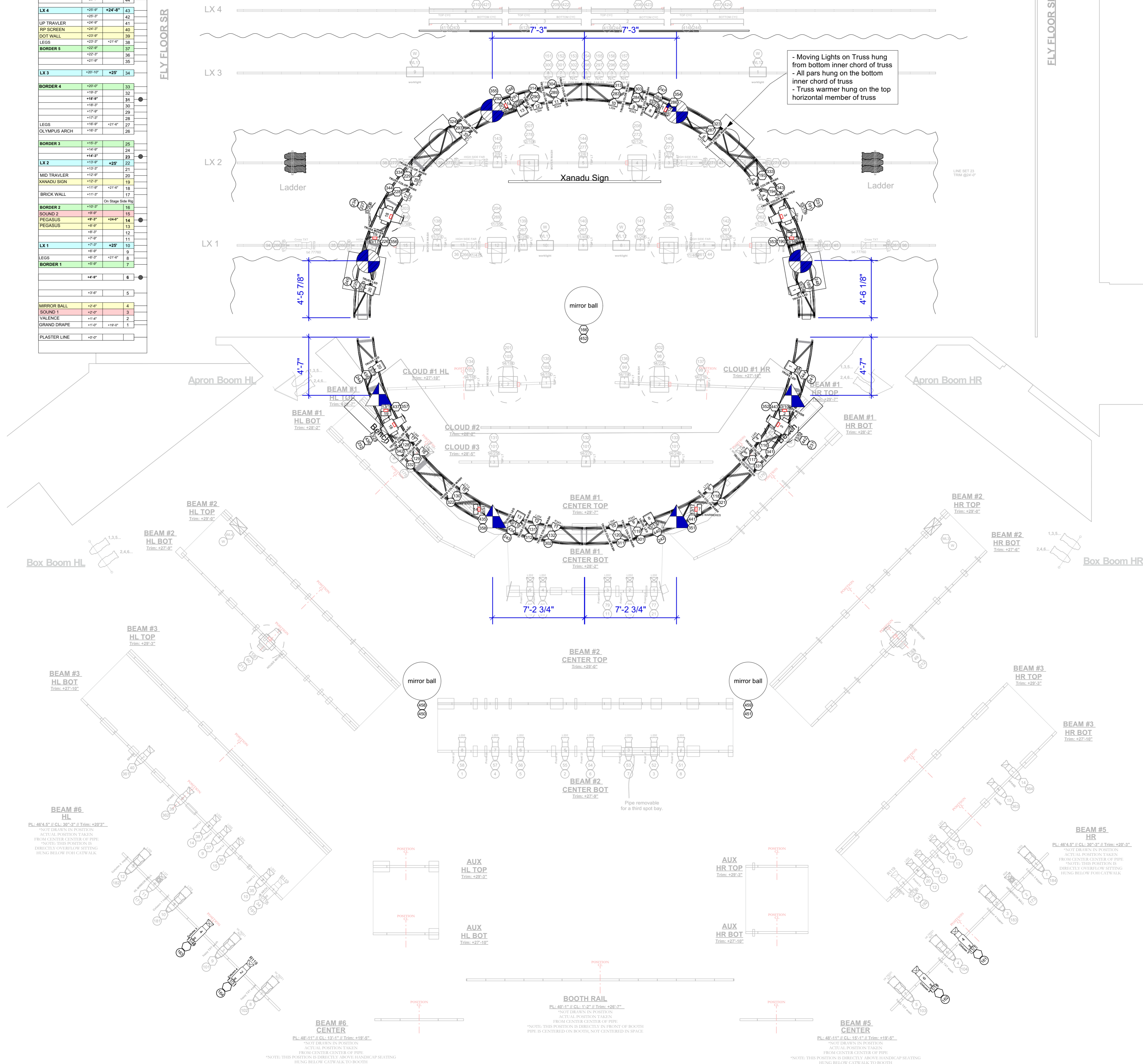


LIGHT PLOT

Director Diane Lala	Scale 1/4"=1'
Drawn By Alaina Pizzoferrato	Sheet No.
Reviewed By	1
Date 9/28/2021	of
CAD File Name XANADU PLOT V8.4.vwx	4



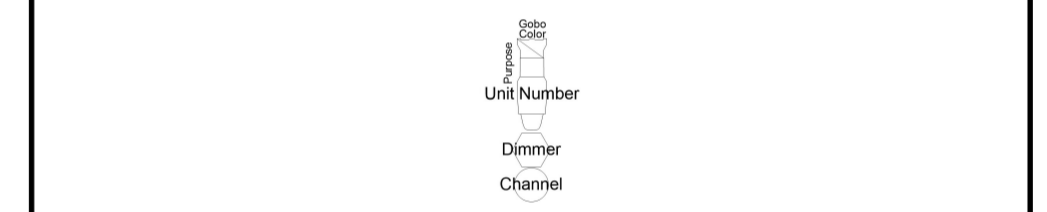
DESCRIPTION	D TO PL	TRIM	#
CYCLORAMA	+29'-0"		47
	+29'-0"		46
SOUND 3	+27'-0"	Off Stage Side Fly	45
	+27'-0"		44
LX 4	+29'-0"	+24'-0"	43
	+29'-0"		42
UP TRAVELER	+29'-0"		41
HP SCREEN	+29'-0"		40
DOT WALL	+29'-0"		39
LEGS	+27'-0"	+21'-0"	38
BORDER 5	+27'-0"		37
	+27'-0"		36
	+27'-0"		35
LX 3	+29'-0"	+29'	34
	+29'-0"		33
BORDER 4	+29'-0"		32
	+29'-0"		31
	+29'-0"		30
	+29'-0"		29
	+29'-0"		28
LEGS	+19'-0"	+11'-0"	27
OLYMPUS ARCH	+19'-0"		26
	+19'-0"		25
BORDER 3	+19'-0"		24
	+19'-0"		23
LX 2	+19'-0"	+29'	22
	+19'-0"		21
MID TRAVELER	+19'-0"		20
XANADU SIGN	+12'-0"		19
	+11'-0"	+21'-0"	18
BRICK WALL	+11'-0"		17
	+11'-0"		16
BORDER 2	+11'-0"		15
SOUND 2	+9'-0"	+24'-0"	14
PEGASUS	+9'-0"		13
PEGASUS	+9'-0"		12
	+9'-0"		11
LX 1	+9'-0"	+29'	10
	+9'-0"		9
LEGS	+9'-0"	+21'-0"	8
BORDER 1	+9'-0"		7
	+9'-0"		6
	+9'-0"		5
MIRROR BALL	+7'-0"		4
SOUND 1	+6'-0"		3
VALENCE	+1'-0"		2
GRAND DRAPERY	+1'-0"	+19'-0"	1
PLASTER LINE	+0'-0"		



- Moving Lights on Truss hung from bottom inner chord of truss
 - All pars hung on the bottom inner chord of truss
 - Truss warmer hung on the top horizontal member of truss

Instrument Key			
Light	Count	Mode	
	1k Broad	4	
	ETC Source-4 Zoom 15°-30°	8	
	ETC Source4 19deg	19	
	ETC Source4 26deg	22	
	ETC Source4 36deg	10	
	USITT PAR MR-16 Birdie-MFL	10	
	Altman 3in Fresnel	2	
	ETC Source4 PAR WFL	27	
	Linestra	14	
	Altman R40 4 Circ 6ft	4	
	Lycian SuperArc 400 Follow Spot	0	
	Chauvet DJ COREpar 80	8	Corepar 80 USB [8]
	Elation Arena PAR Zoom	27	Arena Par Zoom [9]
	Colour Chorus 72	8	RGBA 48ch [48]
	ETC Source4 LED2LS 19deg	6	Direct StrFan [10]
	ETC Source4 LED2LS 26deg	17	Direct StrFan [10]
	ETC Source4 LED2LS 36deg	9	Direct StrFan [10]
	Moving Light		
	Varilite VL 1100 Arc ERS	4	VL1100 AS [27]
	Varilite VL 1100 Tungsten Dimmer	2	VL1100 TS [27]
	Varilite VL 2500 Wash	8	VL2500 Wash [15]

Annotation



Disclaimer

These drawings, designs, and plans are owned by Alaina Pizzoferrato and have been created for this specific project. Viewers are not allowed to distribute or copy this Light Plot without the consent of the Drawer, Alaina Pizzoferrato.

Production Team

Lighting Designer: Alaina Pizzoferrato
 ALD: Baron Leon
 ALD 2: Natalia Carlson
 ME: Dionte Mercado
 Programmer: Sydney Hunt

College-Concervatory of Music (CCM)

Patricia Corbett Theatre



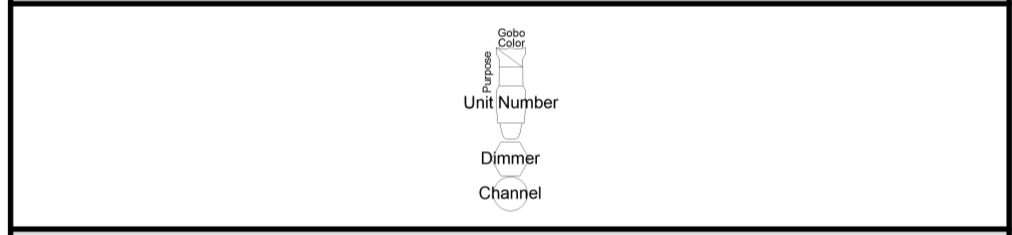
CIRCLE TRUSS

Director Diane Lala		Scale 1/4"=1'
Drawn By Alaina Pizzoferrato		
Reviewed By	Sheet No.	2
Date 9/28/2021		of
CAD File Name XANADU PLOT V9.2.vsw		4

Instrument Key

Light	Count	Mode
1k Broad	4	
ETC Source4 Zoom 15°-30°	8	
ETC Source4 19deg	19	
ETC Source4 26deg	22	
ETC Source4 36deg	10	
USITT PAR MR-16 Birdie-MFL	10	
Altman 3in Fresnel	2	
ETC Source4 PAR WFL	27	
Linestra	14	
Altman R40 4 Circ 6ft	4	
Lycian SuperArc 400 Follow Spot	0	
Chauvet DJ COREpar 80	8	Corepar 80 USB [8]
Elation Arena PAR Zoom	27	Arena Par Zoom [9]
Colour Chorus 72	8	RGBA 48ch [48]
ETC Source4 LED2LS 19deg	6	Direct StrFan [10]
ETC Source4 LED2LS 26deg	17	Direct StrFan [10]
ETC Source4 LED2LS 36deg	9	Direct StrFan [10]
Moving Light		
Varilite VL 1100 Arc ERS	4	VL1100 AS [27]
Varilite VL 1100 Tungsten Dimmer	2	VL1100 TS [27]
Varilite VL 2500 Wash	8	VL2500 Wash [15]

Annotation



Disclaimer

These drawings, designs, and plans are owned by Alaina Pizzoferrato and have been created for this specific project. Viewers are not allowed to distribute or copy this Light Plot without the consent of the Drawer, Alaina Pizzoferrato.

Production Team

Lighting Designer: Alaina Pizzoferrato
 ALD: Baron Leon
 ALD 2: Natalia Carlson
 ME: Dionte Mercado
 Programmer: Sydney Hunt

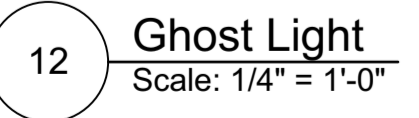
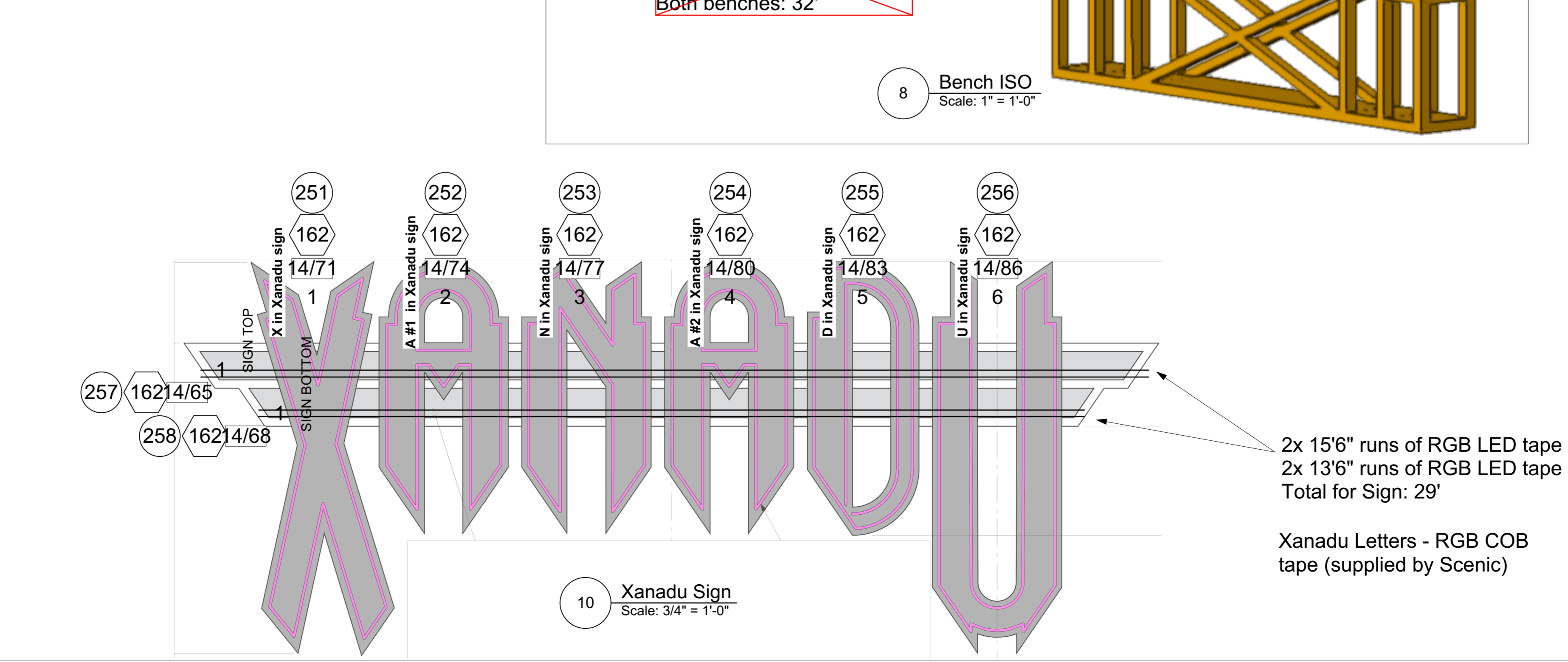
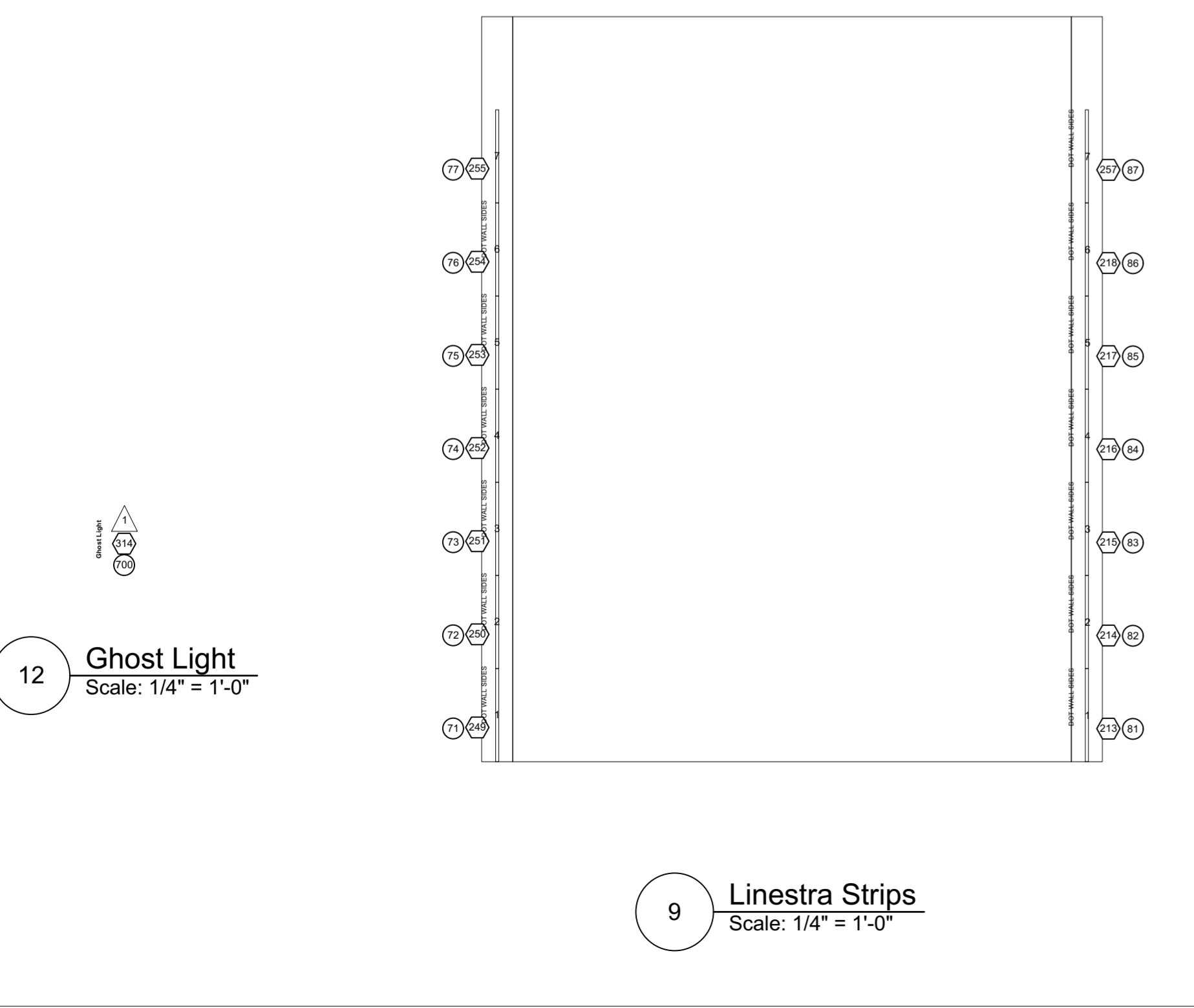
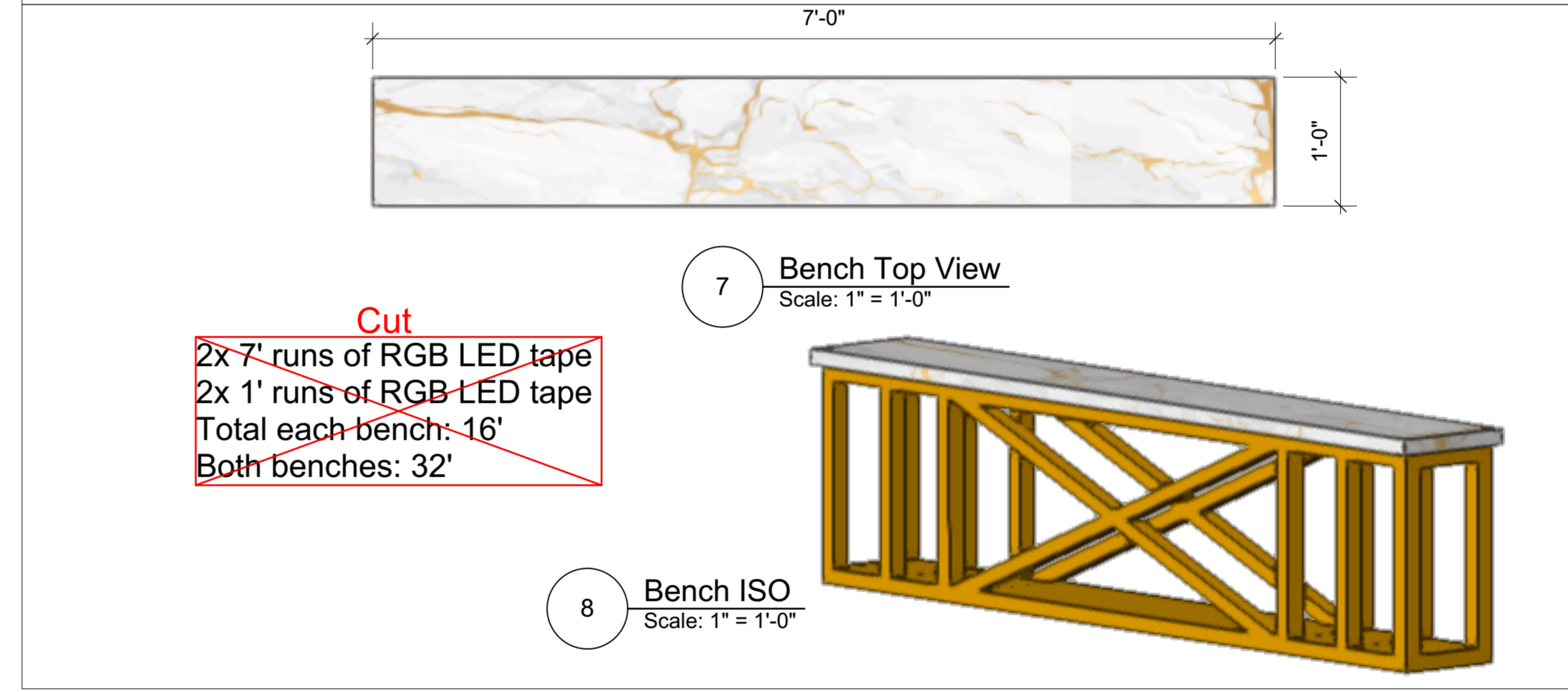
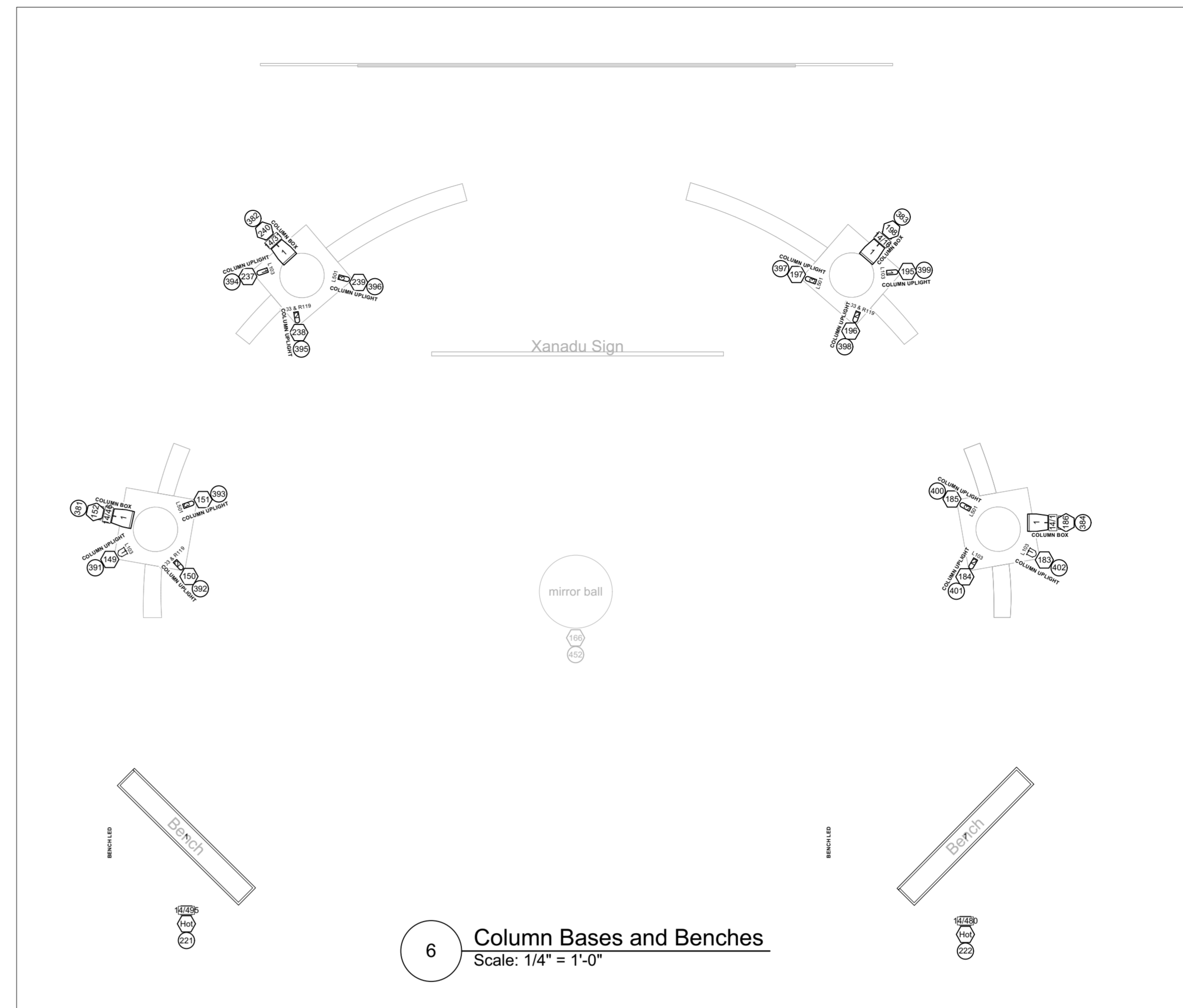
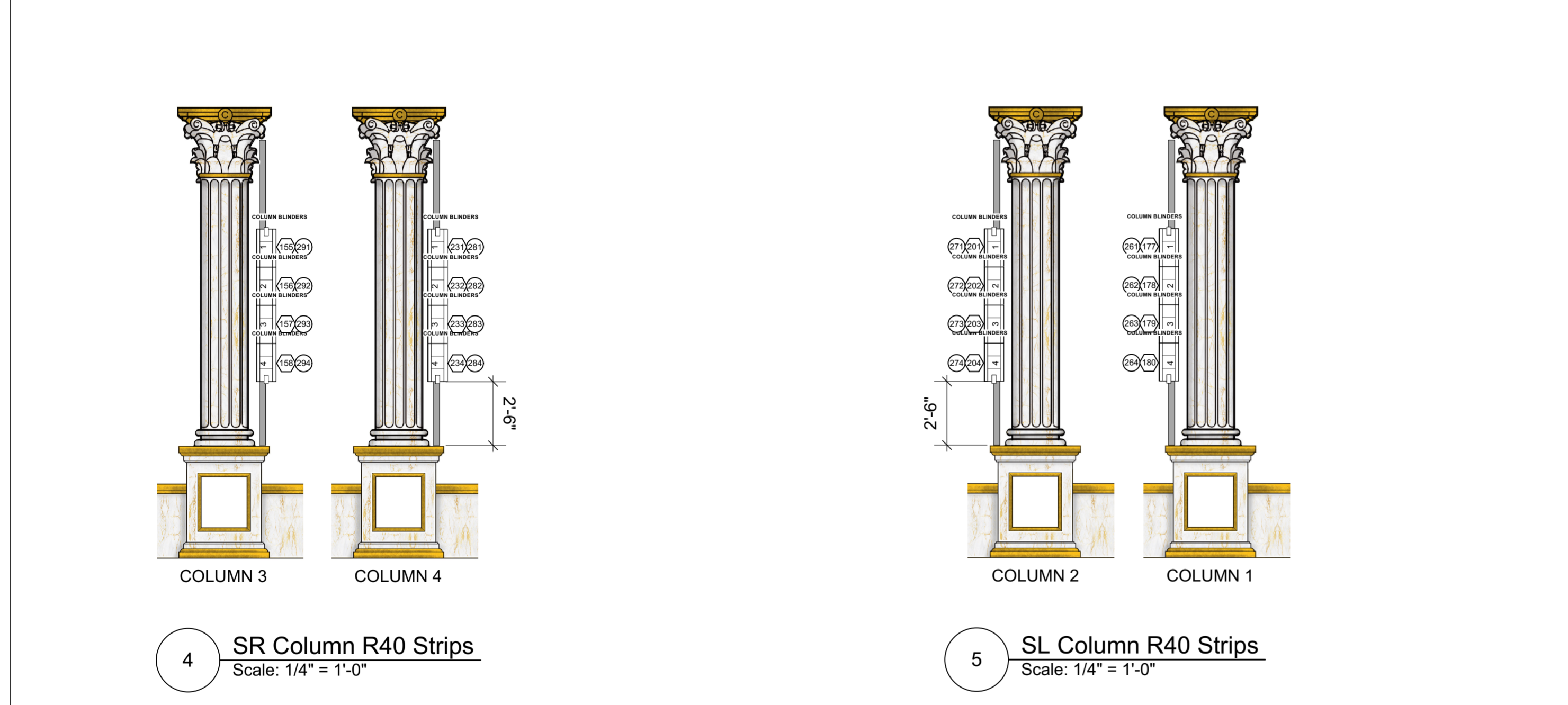
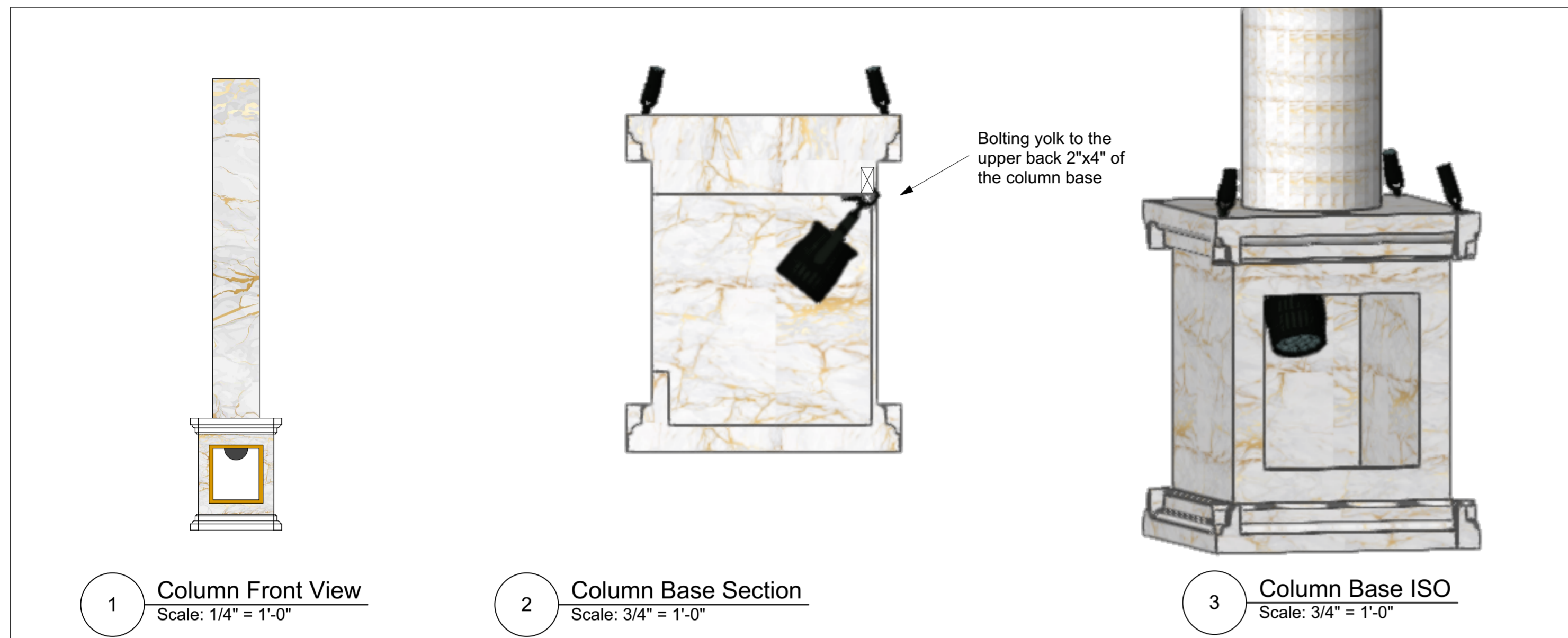
College-Concervatory of Music (CCM)

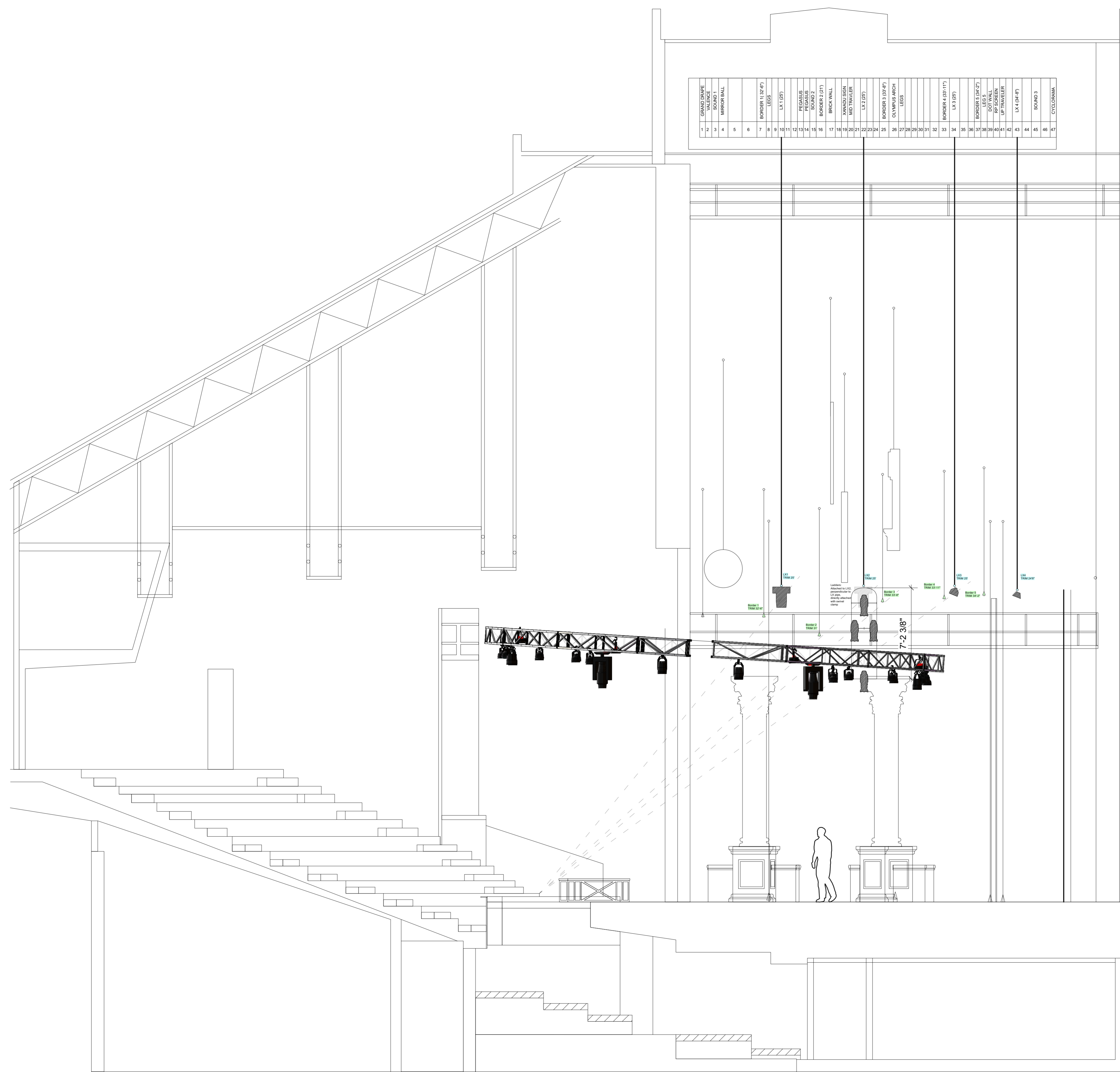
Patricia Corbett Theatre



LX PRACTICALS

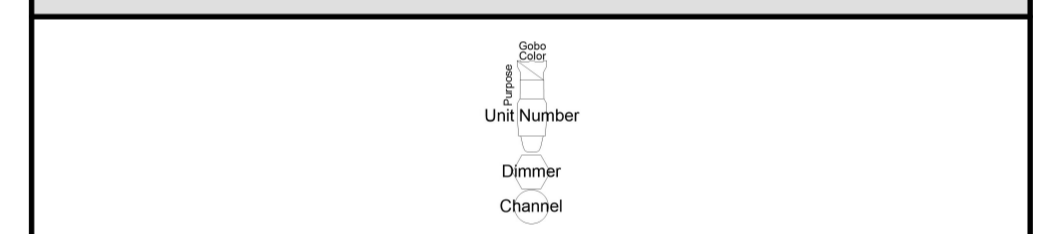
Director Diane Lala		Scale 1/4"=1'
Drawn By Alaina Pizzoferrato		
Reviewed By	Sheet No.	3
Date 9/28/2021		of
CAD File Name XANADU PLOT V9.2.vwx		4





Instrument Key			
Light	Count	Mode	
	4		
	8		
	19		
	22		
	10		
	10		
	2		
	27		
	14		
	4		
	0		
	8	Corepar 80 USB [8]	
	27	Arena Par Zoom [9]	
	8	RGBA 48ch [48]	
	6	Direct StrFan [10]	
	17	Direct StrFan [10]	
	9	Direct StrFan [10]	
Moving Light			
	4	VL1100 AS [27]	
	2	VL1100 TS [27]	
	8	VL2500 Wash [15]	

Annotation



Disclaimer

These drawings, designs, and plans are owned by Alaina Pizzoferrato and have been created for this specific project. Viewers are not allowed to distribute or copy this Light Plot without the consent of the Drawer, Alaina Pizzoferrato.

Production Team

Lighting Designer: Alaina Pizzoferrato
 ALD: Baron Leon
 ALD 2: Natalia Carlson
 ME: Dionte Mercado
 Programmer: Sydney Hunt

College-Conceratory of Music (CCM)

Patricia Corbett Theatre



SECTION

Director Diane Lala		Scale 1/4"=1'
Drawn By Alaina Pizzoferrato		
Reviewed By	Sheet No. 4	of
Date 9/28/2021	4	
CAD File Name XANADU PLOT VS.2.vwx	4	